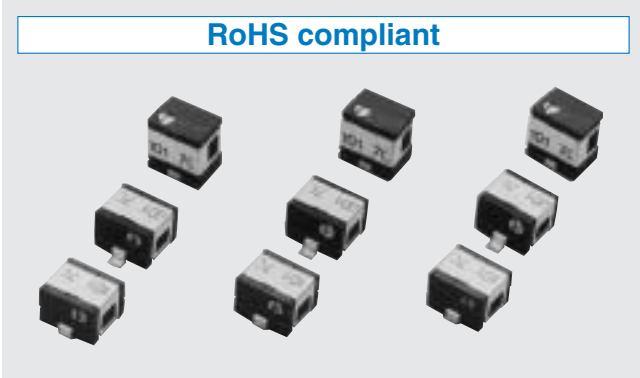


# SM-4

## SURFACE MOUNT CERMET TRIMMERS (12 TURNS)

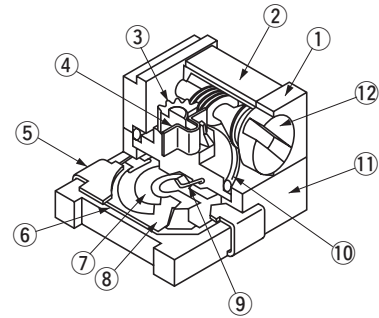
### RoHS compliant



### FEATURES

- Lead-free soldering, Cadmium-free
- Fine adjustment is possible
- Automatic mounting is possible (Taping)
- Flow/reflow soldering is possible
- Sealed construction (Washable)

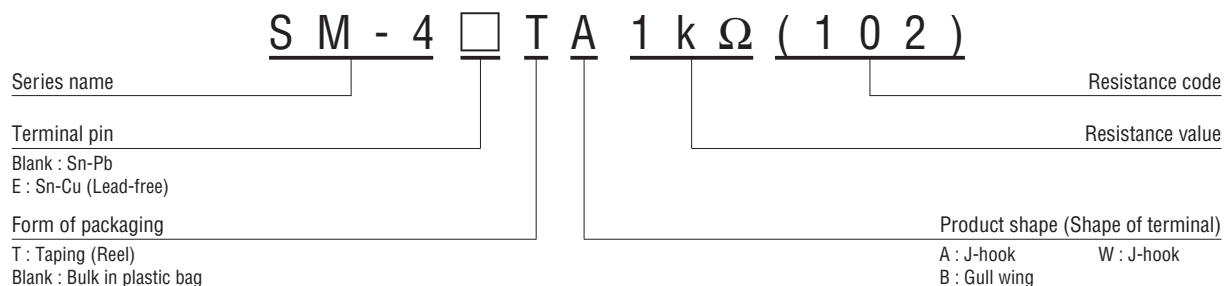
### INTERNAL STRUCTURE



Part name	Material	Flammability	
① Housing	PPS (Polyphenylenesulphide)	UL-94V-0	
② Cover	Stainless steel	—	
③ Rotor gear	PPS (Polyphenylenesulphide)	UL-94V-0	
④ Clutch spring	Stainless steel	—	
⑤ Terminal pin	Sn-Pb Copper alloy, Solder-plated		
	Sn-Cu Copper alloy, Sn-Cu-plated		
⑥ Base element	Ceramic		
⑦ Resistive element	RuO <sub>2</sub> cermet		
⑧ Electrode	Ag-Pd cermet		
⑨ Wiper	Multi metal alloy		
⑩ "O" ring	Silicone rubber		UL-94HB
⑪ Base	Epoxy		UL-94V-0
⑫ Shaft	Metal		—

CFCs, Halon, Carbon tetrachloride and designated bromic flame retardant PBBOs and PBBs are not used in our products.

### PART NUMBER DESIGNATION



\* Please refer to the LIST OF PART NUMBERS when placing orders.

# SM-4 SURFACE MOUNT TRIMMERS

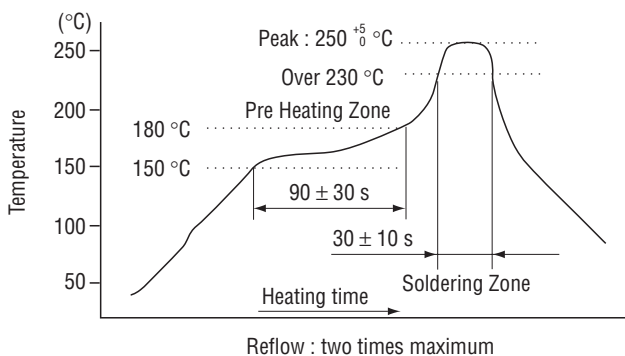
## LIST OF PART NUMBERS

Adjustment position	Shape of terminal	Form of packaging			
		Taping (reel)		Plastic bag	
		Sn-Pb	Sn-Cu (Lead-free)	Sn-Pb	Sn-Cu (Lead-free)
Top adjustment	W (J-hook)	SM-4TW	SM-4ETW	SM-4W	SM-4EW
Side adjustment	A (J-hook)	SM-4TA	SM-4ETA	SM-4A	SM-4EA
	B (Gull wing)	SM-4TB	SM-4ETB	SM-4B	SM-4EB
Pieces in package		TW, ETW : 250 pcs./reel TA, ETA : 500 pcs./reel TB, ETB : 500 pcs./reel		50 pcs./pack	

## ELECTRICAL CHARACTERISTICS

Nominal resistance range	10 Ω ~ 2 MΩ
Resistance tolerance	± 10 %
Power ratings	0.25 W (85 °C) 0 W (150 °C)
Resistance law	Linear law (B)
Maximum input voltage	DC300 V or power rating, whichever is smaller
Maximum wiper current	100 mA or power rating, whichever is smaller
Effective electrical turn	10 turns
End resistance	1 % or 2 Ω, whichever is greater
C.R.V.	1 % or 3 Ω, whichever is greater
Operating temp. range	-65 ~ 150 °C
Temp. coefficient	±100 10 <sup>-6</sup> /°C maximum
Insulation resistance	1000 MΩ minimum (DC500 V)
Dielectric strength	AC600 V, 60 s
Net weight	Approx. 0.2 g

## Reflow profile for soldering heat evaluation



## <Nominal resistance values>

⇒ 10 Ω	⇒ 20 Ω	50 Ω	100 Ω	200 Ω	500 Ω	1 kΩ	2 kΩ	5 kΩ
10 kΩ	20 kΩ	50 kΩ	100 kΩ	200 kΩ	500 kΩ	1 MΩ	2 MΩ	

Fig. 1

The products indicated by ⇒ mark are manufactured upon receipt of order basis.

\* The above part numbers are all available with the respective combination of <Nominal resistance values> (Fig. 1).

\* Verify the above part numbers when placing orders.

\* Taping specification is not sold separately and must be purchased in reel units.

## MECHANICAL CHARACTERISTICS

Mechanical turn	12 turns
Operating torque	20 mN·m {204 gf·cm} maximum
Mechanical stop	Clutch action
Rotational life	200 cycles [ $\Delta R/R \leq \pm (3 \Omega + 3 \%)$ ]
Thrust to shaft	5 N {0.51 kgf} minimum
Solderability	Sn-Pb : 235 °C, 2 s Sn-Cu (Lead-free) : 245 ± 3 °C, 2 ~ 3 s
Shear (Adhesion)	5 N {0.51 kgf} 10 s
Substrate bending	Width 90 mm, bend 3 mm, 5 s, 1 time
Pull-off strength	5 N {0.51 kgf} 10 s

{ } : Reference only

## ENVIRONMENTAL CHARACTERISTICS

Test item	Test conditions	Specifications
Thermal shock	-65 ~ 150 °C (0.5 h), 5 cycles	$[\Delta R/R \leq 2 \%$ [S.S. $\leq 1 \%$ ]
Humidity	-10 ~ 65 °C (80 ~ 98 %), 10 cycles, 240 h	$[\Delta R/R \leq 2 \%$ ]
Shock	981 m/s <sup>2</sup> , 6 ms 6 directions for 3 times each	$[\Delta R/R \leq 1 \%$ [S.S. $\leq 1 \%$ ]
Vibration	Amplitude 1.52 mm or Acceleration 196 m/s <sup>2</sup> , 10 ~ 2000 Hz, 3 directions, 12 times each	
Load life	85 °C, 0.25 W, 1000 h	$[\Delta R/R \leq 2 \%$ [S.S. $\leq 1 \%$ ]
Low temp. operation	-65 °C, 2 h	$[\Delta R/R \leq 1 \%$ [S.S. $\leq 1 \%$ ]
High temp. exposure	150 °C, 250 h	$[\Delta R/R \leq 2 \%$ [S.S. $\leq 1 \%$ ]
Immersion seal	85 °C, 60 s	No leaks (No continuous bubbles)
Soldering heat	Sn-Pb 260 °C, 10 s or 215 °C, 35 s	$[\Delta R/R \leq 1 \%$
	Sn-Cu Flow : 260 ± 3 °C as the temperature in a pot of molten solder, immersion from head of terminal to backside of board, 5 ~ 6 s, two times maximum Reflow : Peak temperature 255 °C (Please refer to the profile below.) Manual soldering : 350 ± 10 °C, 3 ~ 4 s	

$\Delta R/R$  : Change in total resistance  
S.S. : Setting stability

**SM-4**  
**SURFACE MOUNT TRIMMERS**

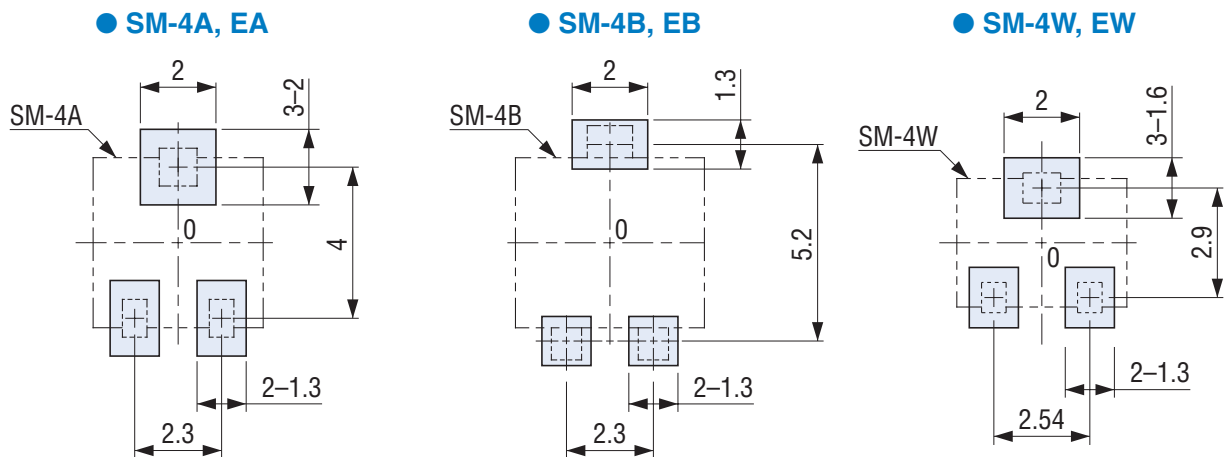
**MAXIMUM INPUT RATINGS**

Nominal resistance values (Ω)	Resistance code	Maximum input voltage (V)	Maximum wiper current (mA)
➔ 10	100	1.00	100
➔ 20	200	2.00	100
➔ 50	500	3.53	70.7
100	101	5.00	50.0
200	201	7.07	35.4
500	501	11.2	22.4
1 k	102	15.8	15.8
2 k	202	22.4	11.2
5 k	502	35.4	7.07
10 k	103	50.0	5.00
20 k	203	70.7	3.54
50 k	503	112	2.24
100 k	104	158	1.58
200 k	204	223	1.12
500 k	504	300	0.60
1 M	105	300	0.30
2 M	205	300	0.15

The products indicated by ➔ mark are manufactured upon receipt of order basis.

**RECOMMENDED P.C.B. PAD OUTLINE DIMENSIONS**

(Unit: mm)

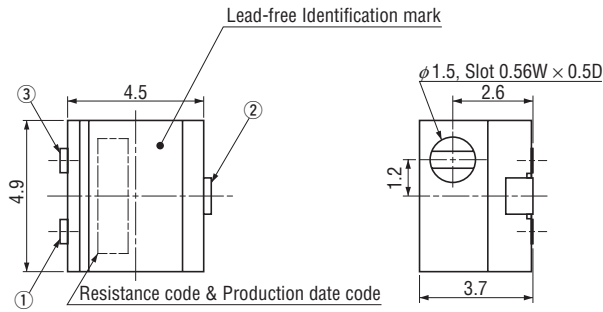


Note) The zero point is the center of mounting.

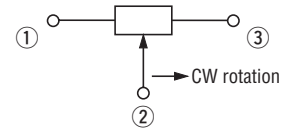
# SM-4 SURFACE MOUNT TRIMMERS

## OUTLINE DIMENSIONS

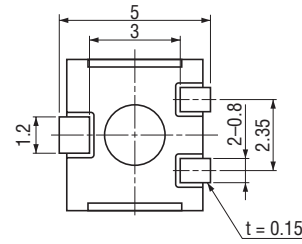
### SM-4A, SM-4EA Side adjustment



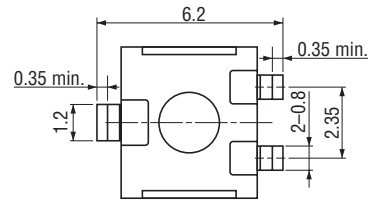
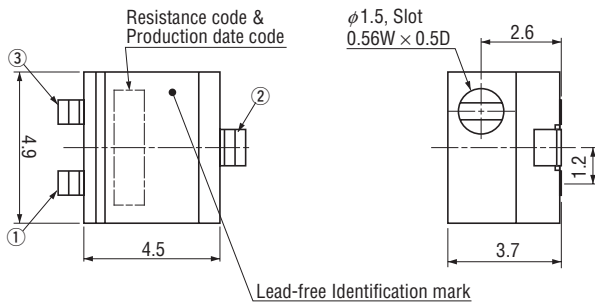
Unless otherwise specified, tolerance :  $\pm 0.3$  (Unit : mm)



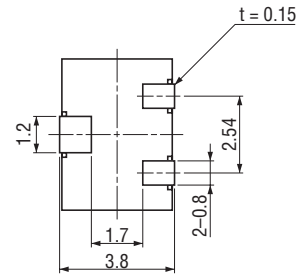
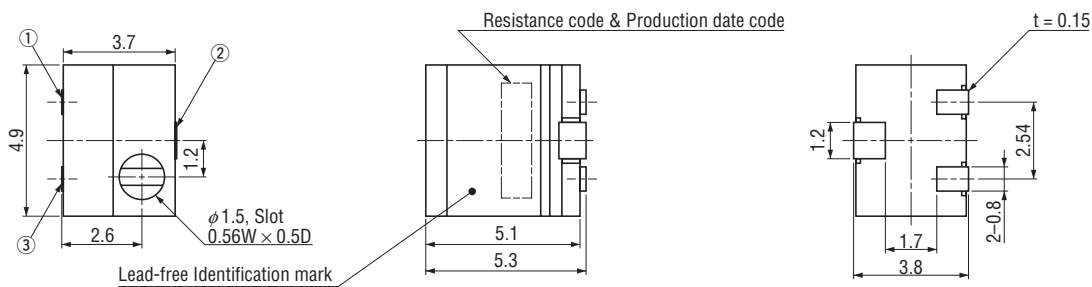
\* Note the terminal position.



### SM-4B, SM-4EB Side adjustment



### SM-4W, SM-4EW Top adjustment



# SM-4 SURFACE MOUNT TRIMMERS

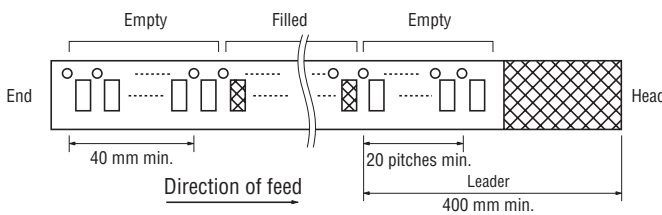
## PACKAGING SPECIFICATIONS

### <Taping packaging specifications>

- Taping version (SM-4TA, TB, ETA, ETB types) are packaged in 500 pcs. per reel.  
Orders will be accepted for units of 500 pcs., i.e., 500, 1000, 1500 pcs., etc.  
SM-4TW, ETW types are packaged in 250 pcs. per reel.  
Orders will be accepted for units of 250 pcs., i.e., 500, 750 pcs., etc.
- Taping version is boxed with one reel.

Maximum number of consecutive missing pieces = 2  
Leader length and reel dimension are shown in the dia-grams below.

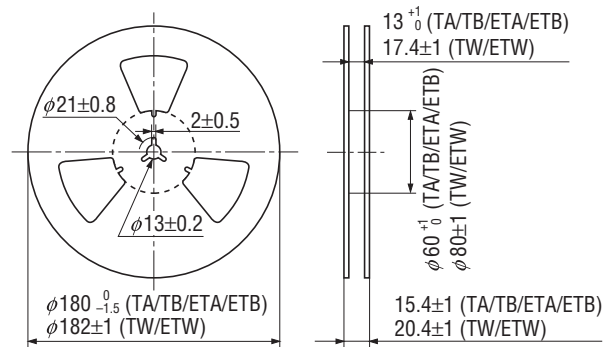
### EMBOSED TAPE DIMENSIONS



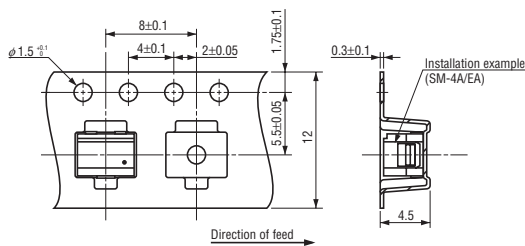
### REEL DIMENSIONS

(Conforms to JIS C 0806-3)  
(TA/TB type : In accordance with EIAJ ET-7200A)

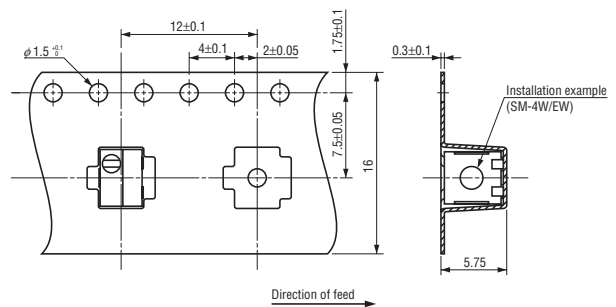
(Unit: mm)



### SM-4TA/TB/ETA/ETB



### SM-4TW/ETW



### <Bulk pack packaging specifications>

- Unit of bulk in a plastic bag is 50 pcs. per pack.
- Boxing of bulk in a plastic bag is performed with 200 pcs. per box.